

NEW

275/K4SF 900RM-1200RM

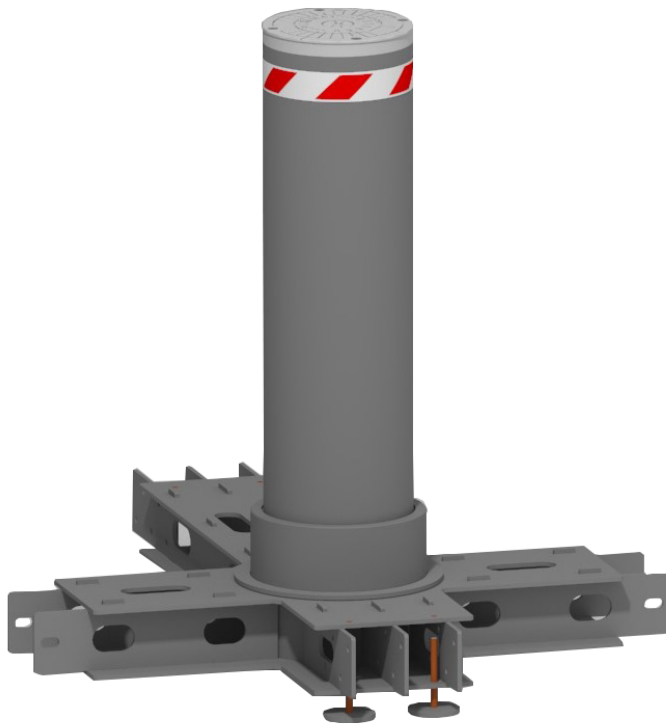


SHALLOW FOUNDATION REMOVABLE BOLLARD

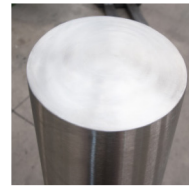
The removable 275/K4SF bollards have been designed and built for installations with shallow mounted requirements or in presence of underground utilities. The "SF" (shallow foundation) acronym identifies the slimmest laying depth of the entire range.

GENERAL FEATURES

The removable 275/K4SF bollards are used to separate and prevent vehicles from breaching the perimeter of the following areas: Research Centres, Embassies, Police Headquarters, Military Bases, Ministerial Buildings Sites in Sensitive Areas. The product is unique since the system can be composed depending on the project requirements. Starting from a single bollard configuration, the product is adaptable to different needs such as corners, curves and slopes.



Anticorrosion marine treatment



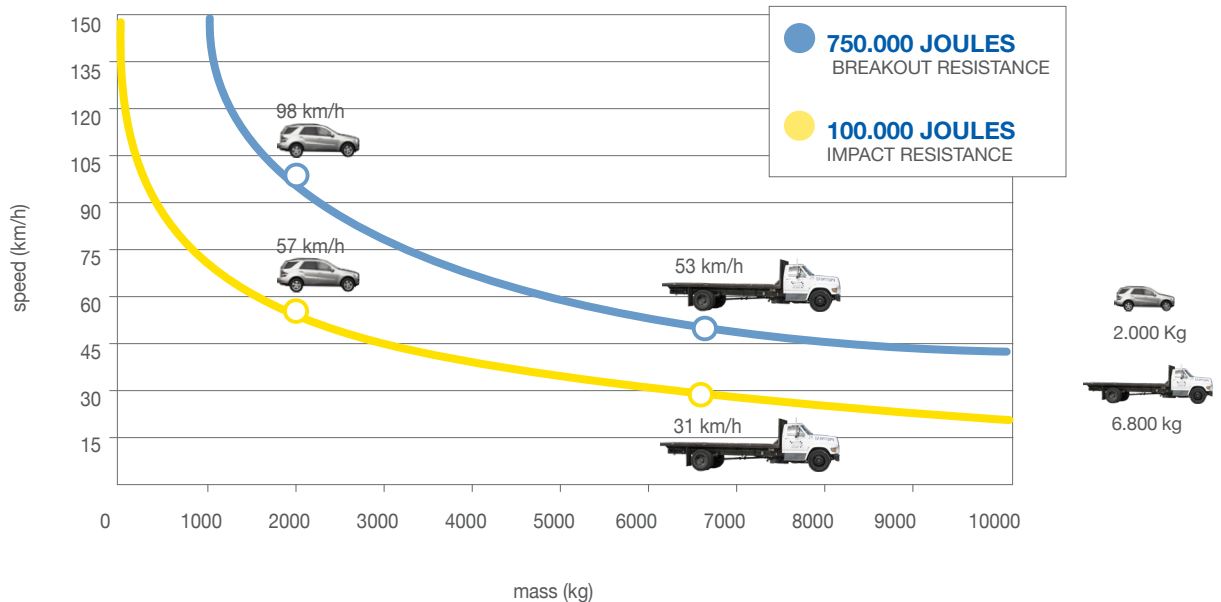
Replaceable stainless steel sleeve painted or brushed



275/K4SF 900RM-1200RM



| | 275/K4SF-900RM | 275/M30SF-1200RM |
|---|--|------------------|
| CYLINDER MATERIAL | S355JR NORMAL STEEL - X5CrNi 18-10 (AISI 304) STAINLESS STEEL - X5CrNiMo 17-12-2 (AISI 316) STAINLESS STEEL | |
| CYLINDER DIAMETER | 273mm | |
| CYLINDER HEIGHT | 900mm | 1200mm |
| CYLINDER THICKNESS | 10mm | 16mm |
| CYLINDER NORMAL STEEL FINISH | ANTI-CORROSION TREATMENT - GREY ANTHRACITE STANDARD PAINTING | |
| CYLINDER STAINLESS STEEL FINISH | GREY ANTHRACITE STANDARD PAINTING OR BRUSHING FULL INOX CYLINDER OR REPLACEABLE SLEEVE | |
| REFLECTING ADHESIVE STRIP | STANDARD - HEIGHT 55mm | |
| FOUNDATION DEPTH | 200mm (optional: 300mm incl. approx 100mm for finished floor covering, e.g. paving stones) | |
| IMPACT RESISTANCE (WITHOUT DEFORMATION) | 100.000 J | |
| BREAKOUT RESISTANCE | 750.000 J | |
| PERIMETRAL CROWN (CIRCULAR) | INCLUDED IN THE SUPPLY | |
| SECURITY LOCK | STANDARD | |
| ANTI-CORROSION TREATMENT "M" | OPTIONAL ORDER IN CASE OF INSTALLATION AT LESS THAN 2KM FROM THE SEA ORDER IN CASE OF INSTALLATION WHERE SALT IS USED ON THE ROAD TO AVOID ICE FOR A PERIOD UP TO 3 MONTHS | |
| CERTIFIED | PAS68:2013 V/7500(N2)/48/90: 0.0 IWA 14-1:2013 V/7200(N2A)/48/90: 0.3 ASTM F2656/F2656M P1 | - |



275/K4SF 900RM-1200RM



AVAILABLE ITEMS

BOLLARD 275/K4SF REMOVABLE – NORMAL STEEL PAINTED equipped with standard EU lock with 2 keys

BOLLARD 275/K4SF REMOVABLE – STAINLESS STEEL (AISI 304) PAINTED equipped with standard EU lock with 2 keys

BOLLARD 275/K4SF REMOVABLE – STAINLESS STEEL BRUSHED equipped with standard EU lock with 2 keys

NORMAL STEEL PAINTED BASEMENT TO BE FIXED INTO THE GROUND

REMOVABLE CYLINDER IN AISI 316 STAINLESS STEEL

SQUARED PERIMETRAL CROWN FOR BASEMENT (MOUNTING SET)

The squared perimeter crown has the same dimension of the automatic version

CYLINDER PAINTING IN ANY RAL COLOR

ADDITIONAL HEAD FOR 275/K4SF REMOVABLE BOLLARD

