

275/K4RM 700-900-1200



REMOVABLE ANTITERRORISM BOLLARDS

The removable bollard 275/K4RM are typically used to prevent the parking, transit and access of unauthorised vehicles in sensible sites.

It is advised that the removable bollard is used only if the amount of daily movements is limited (if not, the automatic version should be used) or when the depth of installation does not allow for the installation of the automatic bollards.

275K4RM 900 CERTIFIED PAS68:2013 V/7500(N3)/48/90: - 0.67
IWA 14-1:2013 V/7200(N3C)/48/90: 0.95
ASTM F2656/F2656M-18A C730 P1



275/K4RM 700-900-1200



AVAILABLE ITEMS

BOLLARD 275/K4RM FEV – NORMAL STEEL PAINTED equipped with standard EU lock with 3 keys

BOLLARD 275/K4RM IXV – STAINLESS STEEL (AISI 304) PAINTED equipped with standard EU lock with 3 keys

BOLLARD 275/K4RM FEV – NORMAL STEEL PAINTED equipped with standard EU lock with 3 keys

NORMAL STEEL PAINTED BASEMENT TO BE FIXED INTO THE GROUND

REMOVABLE CYLINDER IN AISI 316 STAINLESS STEEL

SQUARED PERIMETRAL CROWN FOR BASEMENT (MOUNTING SET)

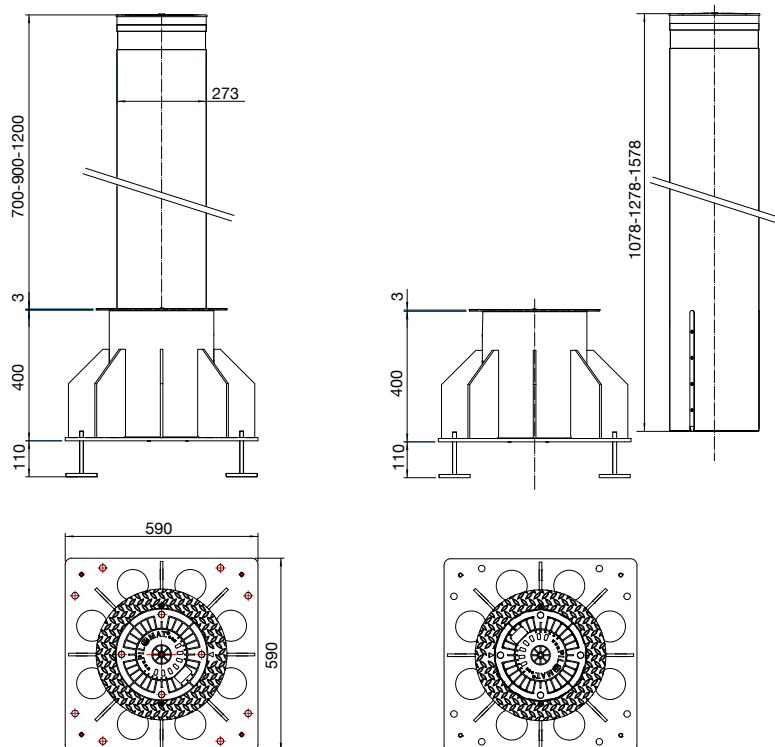
The squared perimeter crown has the same dimension of the automatic version

CYLINDER PAINTING IN ANY RAL COLOR

ADDITIONAL COST FOR EU PROFILE LOCK WITH IDENTICAL KEYS

ADDITIONAL KEY FOR EU LOCK

ADDITIONAL HEAD FOR 275/K4RM BOLLARD



275/K4RM 700-900-1200



	275/K4RM 700	275/K4RM 900	275/K4RM 1200
CYLINDER MATERIAL	S355JR NORMAL STEEL - X5CrNi 18-10 (AISI 304) STAINLESS STEEL - X5CrNiMo 17-12-2 (AISI 316) STAINLESS STEEL		
CYLINDER DIAMETER	273mm		
CYLINDER HEIGHT	700mm	900mm	1200mm
CYLINDER THICKNESS	10mm	10mm	16mm
CYLINDER NORMAL STEEL FINISH	ANTI-CORROSION TREATMENT - GREY ANTHRACITE STANDARD PAINTING		
CYLINDER STAINLESS STEEL FINISH	GREY ANTHRACITE STANDARD PAINTING OR BRUSHING		
REFLECTING ADHESIVE STRIP	STANDARD - HEIGHT 55mm		
IMPACT RESISTANCE (WITHOUT DEFORMATION)	100.000 J		
BREAKOUT RESISTANCE	750.000 J		
SECURITY LOCK	STANDARD - EUROPEAN PROFILE HALF CYLINDER ACCORDING TO DIN 18252 3 KEYS INCLUDED		
CYLINDER WEIGHT (WITHOUT BASEMENT)	78Kg	92Kg	166Kg
BASEMENT WEIGHT	117kg		
PERIMETRAL CROWN (CIRCULAR)	INCLUDED IN THE SUPPLY		
ANTI-CORROSION TREATMENT "M"	OPTIONAL TO BE ORDERED IN CASE OF INSTALLATIONS THAT ARE LESS THAN 2 KM FROM THE SEA TO BE ORDERED IN CASE OF INSTALLATIONS WHERE SALT IS USED ON THE ROAD TO AVOID ICE FOR A PERIOD UP TO 3 MONTHS		

