

# 275/K4FB 700F



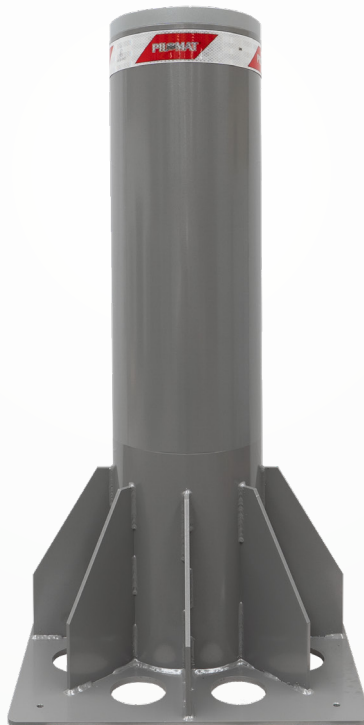
## ANTI-TERRORISM FIXED BOLLARDS WITH BASEMENT

The fixed 275/K4FB 700F bollards have been designed and built with architectural appearance similar to that of the retractable PILOMAT and therefore also allows the combined use of both versions.

Current models are the result of our 40 years' experience in the security field and in excess of 20 years in the specific design and manufacture of bollards.

### GENERAL FEATURES

The fixed antiterrorism bollards are used to separate and prevent vehicles from breaching the perimeter of the following areas: Research Centres Embassies, Police Headquarters, Military Bases, Ministerial Buildings Sites in Sensitive Areas. These items are designed to ensure antiterrorism defence, and must be cemented into the ground at a depth that meets the standards of breakout resistance.



PAG.1/3

**PILOMAT**  
**HÖRMANN**  
100% MADE IN ITALY

PILOMAT s.r.l.  
www.pilomat.com / pilomat@pilomat.com  
Via Zanica 17/p, 24050, Grassobbio (BG) Italy  
Tel. +39.035.29.72.20  
Copyright 2021© Pilomat S.r.l. All rights reserved

REVIEW 08/09/2021

*Information in this document is for reference only. In pursuit of its policy of continuous refinement and improvement, Pilomat reserves the right to amend this information at any time and without prior notice.  
Picture shown is for illustration purpose only.*

# 275/K4FB 700F



## AVAILABLE ITEMS

BOLLARD 275/K4FB 700FFEV - NORMAL STEEL PAINTED

BOLLARD 275/K4FB 700FIXS - STAINLESS STEEL BRUSHED

FOUNDATION BOX ON FIXED CYLINDER - NORMAL STEEL

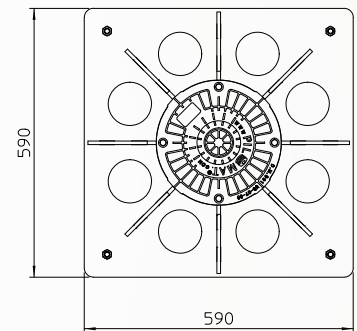
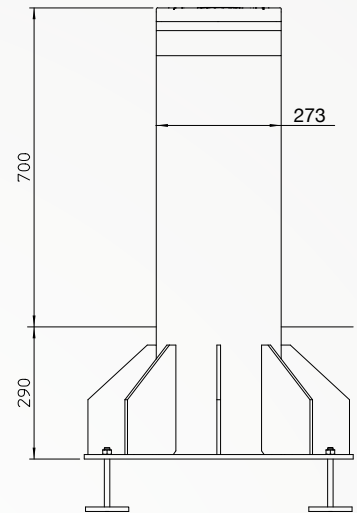
HEAD WITHOUT LOGO FOR 275/K4FB 700F

REFLECTING ADHESIVE STRIP - WHITE (NO-LOGO)

MULTILED LIGHTING STRIP - 25 LED POINTS

LIGHTING STRIP POWER CIRCUIT FOR FIXED BOLLARDS (MAX. 8 BOLLARDS)

PAINTING WITH RAL COLOUR ON REQUEST



# 275/K4FB 700F



CYLINDER MATERIAL	NORMAL STEEL S355JR - X5CrNi 18-10 (AISI 304) STAINLESS STEEL
CYLINDER DIAMETER	273mm
CYLINDER HEIGHT	700mm
CYLINDER THICKNESS	10mm
CYLINDER NORMAL STEEL FINISH	ANTI-CORROSION TREATMENT - STANDARD PAINTING GREY ANTHRACITE
CYLINDER STAINLESS STEEL FINISH	GREY ANTHRACITE STANDARD PAINTING OR BRUSHING
OTHER CYLINDER FINISH	KNURLING ON CYLINDER
REFLECTING ADHESIVE STRIP	STANDARD - HEIGHT 55mm
CONNECTION LINE TO CONTROL UNIT	STANDARD 10m (MAX. LENGTH 80m)
PROTECTION CLASS	IP67
IMPACT RESISTANCE (WITHOUT DEFORMATION)	250.000 J
BREAKOUT RESISTANCE	750.000 J
ANTI-CORROSION TREATMENT "M"	OPTIONAL ORDER IN CASE OF INSTALLATION AT LESS THAN 2KM FROM THE SEA ORDER IN CASE OF INSTALLATION WHERE SALT IS USED ON THE ROAD TO AVOID ICE FOR A PERIOD UP TO 3 MONTHS

