

# 275/K4EMB 900A-1200A



## ELECTROMECHANICAL BOLLARDS WITH BRUSHLESS MOTOR

The 275/K4EMB 900A and 275/M30EMB 1200A automatic electromechanical bollards have been designed to ensure the anti-terrorist defence. Current models are the result of our 40 years' experience in the security field and in excess of 20 years in the specific design and manufacture of automatic bollards. The installation of 275/EMB bollards is recommended for any sensitive site like company driveways, industrial driveways, research centres, embassies, police facilities and military bases.

A large range of optional accessories is available to customize your system according to any security needs.



PAG.1/3

**PILOMAT**  
**HÖRMANN**  
100% MADE IN ITALY

PILOMAT s.r.l.  
www.pilomat.com / pilomat@pilomat.com  
Via Zanica 17/p, 24050, Grassobbio (BG) Italy  
Tel. +39.035.29.72.20  
Copyright 2021© Pilomat S.r.l. All rights reserved

REVIEW 18/11/2021

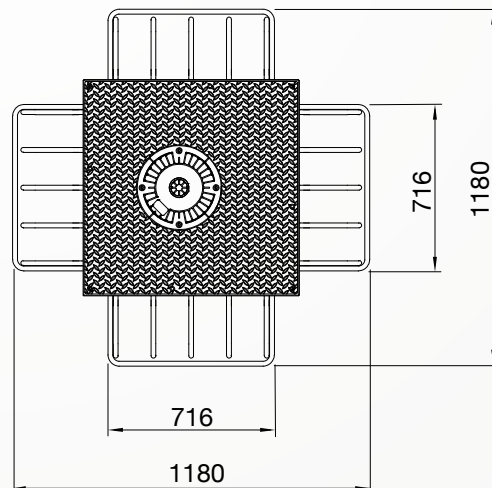
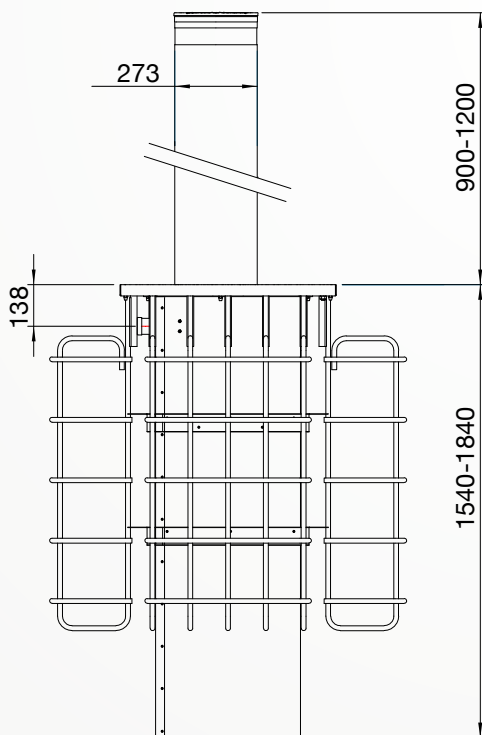
*Information in this document is for reference only. In pursuit of its policy of continuous refinement and improvement, Pilomat reserves the right to amend this information at any time and without prior notice.  
Picture shown is for illustration purpose only.*

# 275/K4EMB 900A-1200A



## AVAILABLE ITEMS

BOLLARD 275/EMB FEV – NORMAL STEEL PAINTED
BOLLARD 275/EMB IXS – STAINLESS STEEL BRUSHED (AISI 304)
BOLLARD 275/EMB IXV - STAINLESS STEEL PAINTED
HEAD WITH MULTILED LIGHTING STRIP 25 LED POINTS
ACOUSTIC WARNING SIGNAL <b>ATTENTION:</b> AVAILABLE ONLY FOR HEAD WITH MULTILED FLASHING LIGHT
ADHESIVE REFLECTING STRIP - WHITE (NO LOGO)
FOUNDATION BOX WITH COUNTERFRAME AND REBARS
REMOTE RADIO RECEIVER
RADIO TRANSMITTER
TRAFFIC LIGHT WITH TWO LIGHTS (RED - GREEN)
INDUCTIVE DETECTOR FOR TWO INDUCTIVE LOOPS
INDUCTIVE LOOPS
HEATING RESISTANCE - TRANSFORMER - THERMOSTAT



PAG.2/3

**PILOMAT**  
**HÖRMANN**  
100% MADE IN ITALY

PILOMAT s.r.l.  
www.pilomat.com / pilomat@pilomat.com  
Via Zanica 17/p, 24050, Grassobbio (BG) Italy  
Tel. +39.035.29.72.20  
Copyright 2021© Pilomat S.r.l. All rights reserved

REVIEW 18/11/2021

Information in this document is for reference only. In pursuit of its policy of continuous refinement and improvement, Pilomat reserves the right to amend this information at any time and without prior notice.  
Picture shown is for illustration purpose only.

# 275/K4EMB 900A-1200A



	275/K4EMB-900A	275/M30EMB-1200A
CYLINDER MATERIAL	S355JR NORMAL STEEL X5CrNi 18-10 (AISI 304) - X5CrNiMo 17-12-2 (AISI 316) STAINLESS STEEL	
CYLINDER DIAMETER	273mm	
CYLINDER HEIGHT	900mm	1200mm
CYLINDER THICKNESS	10mm	16mm
MOVEMENT PRINCIPLE	ELECTROMECHANICAL WITH BUILT-IN BRUSHLESS MOTOR	
CYLINDER NORMAL STEEL FINISH	ANTI-CORROSION TREATMENT - GREY ANTHRACITE STANDARD PAINTING	
CYLINDER STAINLESS STEEL FINISH	GREY ANTHRACITE STANDARD PAINTING OR BRUSHING	
REFLECTING ADHESIVE STRIP	STANDARD - HEIGHT 55mm	
OTHER CYLINDER FINISH	KNURLING	
RISING SPEED	22cm/s	
	OPTIONAL: E.F.O. RISING TIME 2"	OPTIONAL: E.F.O. RISING TIME 2,6"
LOWERING SPEED	22cm/s	
MANUAL EMERGENCY LOWERING	STANDARD	
CONNECTION LINE TO CONTROL UNIT	STANDARD 10m (MAX LENGHT 50m)	
VOLTAGE FOR CONTROL UNIT	230/400VAC (+/- 10%) 50/60HZ	
PROTECTION CLASS	IP 67	
TYPE OF USE	INTENSIVE - 2.000 CYCLES/DAY	
LIFE UNITS	3.000.000 CYCLES	
IMPACT RESISTANCE (WITHOUT DEFORMATION)	250.000 J	700.000 J
BREAKOUT RESISTANCE	750.000 J	1.200.000 J
NOMINAL OPERATING TEMPERATURE	-40°C +70°C(FOR LOW TEMPERATURES SEE HEATING RESISTANCE)	
ANTI-CORROSION TREATMENT "M"	OPTIONAL - RECOMMENDED FOR INSTALLATIONS AT LESS THAN 2KM FROM THE SEA OR WHERE SALT IS USED TO PREVENT THE FORMATION OF ICE ON ROADS DURING WINTER	
LOAD CLASS (EN124)	D400	
CERTIFIED	PAS68:2013V/7500(N3)/48/90:1.0/2.5 IWA 14-1:2013 V/7200(N3C)/48/90:1.0	PAS68:2013V/7500(N3)/48/90:4.6/4.9 IWA 14-1:2013V/7200(N3C)/48/90:4.9 ASTM F2656/F2656M-20 C730 P2

