

# 127/P 500SA-600SA



## SEMI-AUTOMATIC BOLLARDS WITH GAS ACTUATOR

The semiautomatic bollards 127/P 500SA and 127/P 600SA with single gas actuator is designed and built with architectural appearance similar to that of the automatic bollards and therefore also allows the combined use of both versions. Current models are the result of our 40 years' experience in the security field and in excess of 20 years in the specific design and manufacture of bollards.

### GENERAL FEATURES

The Semiautomatic bollards are used to define or prevent the stationing or transit of vehicles in pedestrian or private areas. Because of the procedure of parking, it is advised that the semi-automatic bollards be used only if the amount of daily movements is limited.



PAG.1/3

**PILOMAT**  
**HÖRMANN**  
100% MADE IN ITALY

PILOMAT s.r.l.  
www.pilomat.com / pilomat@pilomat.com  
Via Zanica 17/p, 24050, Grassobbio (BG) Italy  
Tel. +39.035.29.72.20  
Copyright 2021© Pilomat S.r.l. All rights reserved

REVIEW 14/07/2021

Information in this document is for reference only. In pursuit of its policy of continuous refinement and improvement, Pilomat reserves the right to amend this information at any time and without prior notice.  
Picture shown is for illustration purpose only.

# 127/P 500SA-600SA



## AVAILABLE ITEMS

BOLLARD 127/P FEV - NORMAL STEEL PAINTED

BOLLARD 127/P IXV - STAINLESS STEEL PAINTED

BOLLARD 127/P IXS - STAINLESS STEEL BRUSHED

FOUNDATION BOX IN ALUZINC FOR 127/P - COUNTERFRAME AND BRACKETS  
ONE FOUNDATION BOX FOR EACH BOLLARD

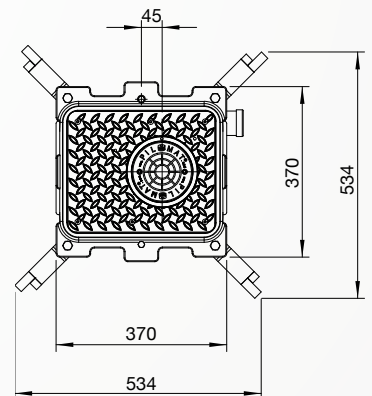
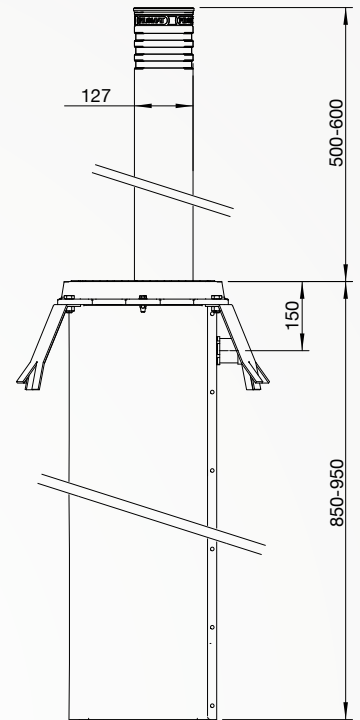
HEAD WITHOUT LOGO FOR 127/P

PAINTING WITH RAL COLOUR ON REQUEST

LOCK FOR TRIANGULAR KEY 11mm - 2 KEYS

LOCK FOR TRIANGULAR KEY 9mm - WITHOUT KEYS

KIT 5 TRIANGULAR KEYS 11mm FOR SEMIAUTOMATIC BOLLARDS



PAG.2/3

**PILOMAT**  
**HÖRMANN**  
100% MADE IN ITALY

PILOMAT s.r.l.  
www.pilomat.com / pilomat@pilomat.com  
Via Zanica 17/p, 24050, Grassobbio (BG) Italy  
Tel. +39.035.29.72.20  
Copyright 2021© Pilomat S.r.l. All rights reserved

REVIEW 14/07/2021

Information in this document is for reference only. In pursuit of its policy of continuous refinement and improvement, Pilomat reserves the right to amend this information at any time and without prior notice.  
Picture shown is for illustration purpose only.

# 127/P 500SA-600SA



|   | 127/P-500SA   | 127/P-600SA |
|---|---|-------------|
| CYLINDER MATERIAL                       | S235JR NORMAL STEEL - X5CrNi 18-10 (AISI 304) STAINLESS STEEL |             |
| CYLINDER DIAMETER                       | 127mm   |             |
| CYLINDER HEIGHT                         | 500mm   | 600mm       |
| CYLINDER THICKNESS                      | 6mm   |             |
| MOVEMENT PRINCIPLE                      | SEMIAUTOMATIC WITH GAS ACTUATOR                               |             |
| CYLINDER NORMAL STEEL FINISH            | ANTI-CORROSION TREATMENT - STANDARD PAINTING GREY ANTHRACITE  |             |
| CYLINDER STAINLESS STEEL FINISH         | STANDARD PAINTING GREY ANTHRACITE OR BRUSHED                  |             |
| REFLECTING ADHESIVE STRIP               | STANDARD - HEIGHT 23mm  |             |
| RISING SPEED                            | 20cm/s  |             |
| LOWERING SPEED                          | MANUAL (PRESSURE WITH THE FOOT ON THE HEAD OF THE BOLLARD)    |             |
| PROTECTION CLASS                        | IP67  |             |
| IMPACT RESISTANCE (WITHOUT DEFORMATION) | 30.000 J  |             |
| BREAKOUT RESISTANCE                     | 150.000 J   |             |
| OPERATING TEMPERATURE                   | -40 °C +70 °C   |             |
| LOCK                                    | STANDARD: TRIANGULAR LOCK 11mm                                |             |
| LOAD CLASS (EN124)                      | D400  |             |

